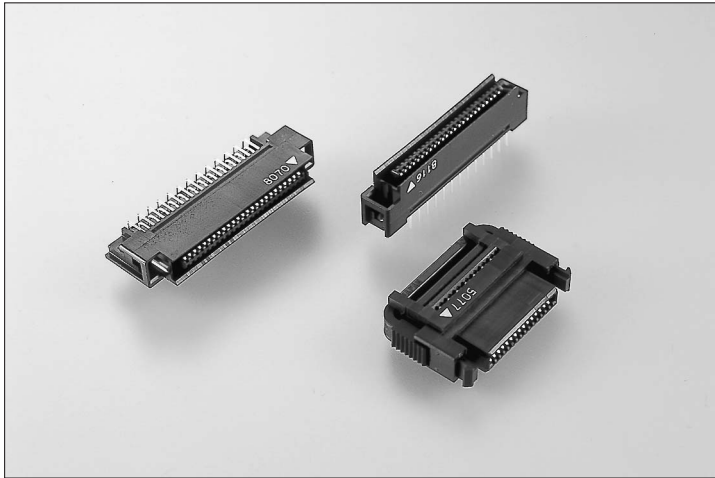


**IDC TYPE
50mil(1.27mm) PITCH 2 PIECE CONNECTOR**

8822/8830 SERIES





FEATURES

- High density 1.27mm pitch connector
- Highly reliable straight beam contact design
- Low insertion and withdrawal force
- IDC for 1.27mm (50mil) flat ribbon cable (#28 AWG)
- Can be used with MIL-STD type IDC connectors (KEL 6100, 6200, 6200S, 6230 Series for example)
- Easy one-hand locking
- 10 sizes from 20 to 68 pins
- RoHS compliance

● ORDER CODE

88 - - - - - F

- **F** : RoHS Compliance
- Plating of contact area
Omit : Au 0.05 μ m (Standard)
D : Au 0.25 μ m (Upon request)
- Contact tail style (Plug only)
S : Straight
L : Right angle
- Contact name
170 : Plug
171 : Receptacle
- Number of contacts
020 : 20 pin 026 : 26 pin
030 : 30 pin 032 : 32 pin
034 : 34 pin 040 : 40 pin
050 : 50 pin 052 : 52 pin
060 : 60 pin 068 : 68 pin
- Series name
8822 : Receptacle
8830 : Plug, Without hooks
8831 : Plug, With hooks (Right angle only)

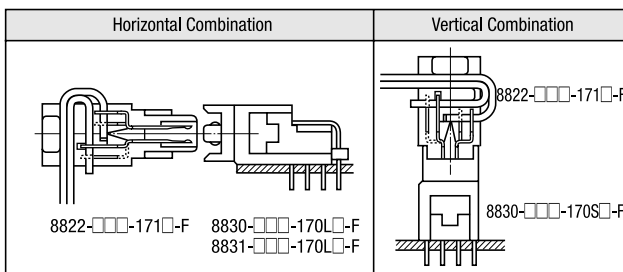
SPECIFICATIONS

- Insulator : Glass-filled 66 Nylon (UL 94V-0), Black
- Contact : Copper alloy
- Plating :
 Contact area ; Gold over Nickel
 (1) Standard : 0.05 μ m min. Gold
 (2) Upon request : 0.25 μ m min. Gold
- IDC area ; 0.05 μ m min. Gold over Nickel (8822)
- Terminal area ; 2 μ m min. Tin copper over Nickel (8830/8831)
- Current rating : 0.5A per contact
- Contact resistance : 30m Ω max.
- Dielectric withstanding voltage : 650V AC for 1 minute
- Insulation resistance : 1,000M Ω min. at 500V DC
- Operating temperature : -55 $^{\circ}$ C to +85 $^{\circ}$ C
- Recommended cable : #28 AWG (7/0.127), 1.27mm (50mil) pitch, Flat ribbon cable

PRODUCT OUTLINES

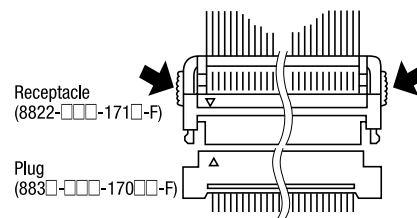
■ Cable Assembly

The 8822 Series terminates to 2 separate 1.27mm (50mil) pitch, flat ribbon cables. This allows for cable assemblies that include both 1.27mm (50mil) pitch and MIL-STD connectors (KEL 6100, 6200, 6200S, 6230 Series) on same assembly.



■ Snap-in Latching Mechanism

The 8822 Series has an original snap-in latch design that offers easy latching and ejecting with the 8830/8831 Series.

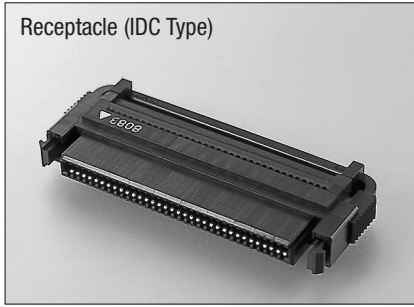


Apply pressure on both of the 8820 Series latches to release the Receptacle from the Plug.

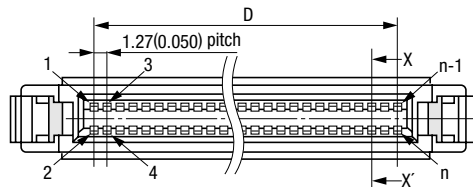
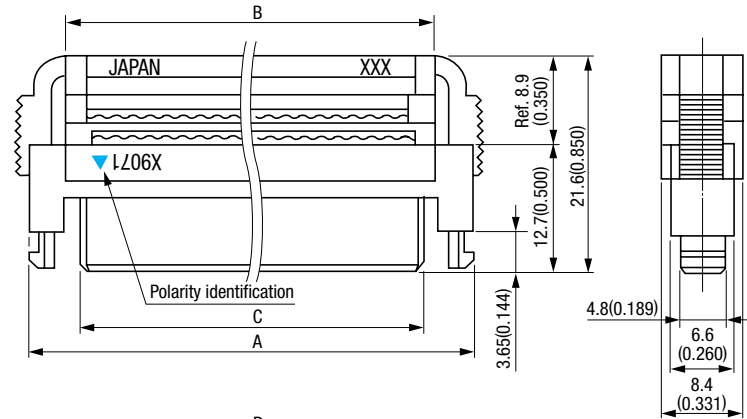
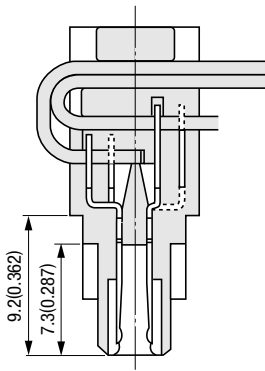
8822-□□□-171□-F (Receptacle, With snap-in latches)

Unit:mm(inch)

Receptacle (IDC Type)



X-X' Cross Section



"n" is number of contacts

Packaging style
Other

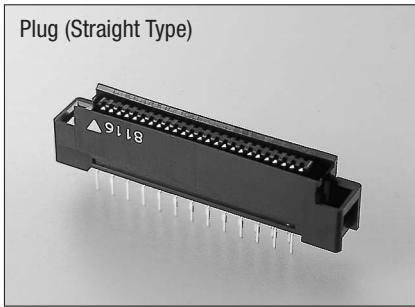
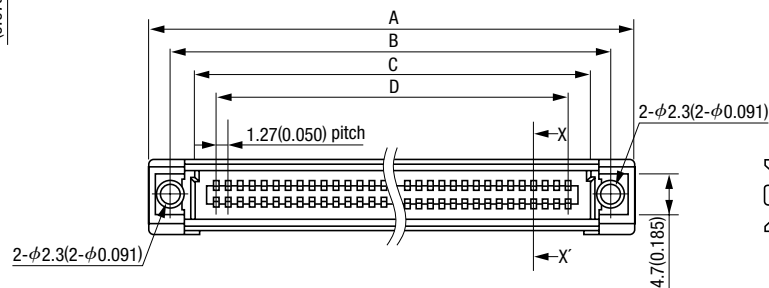
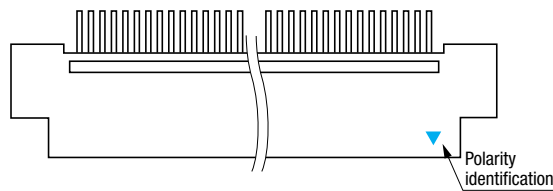
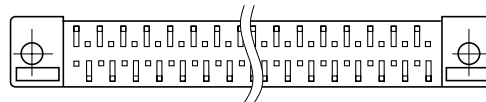
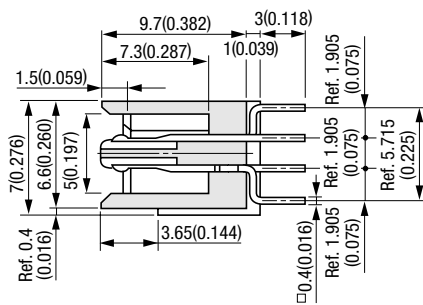
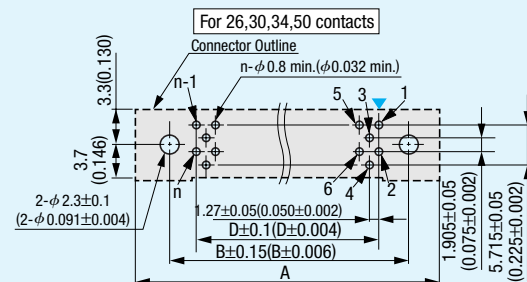
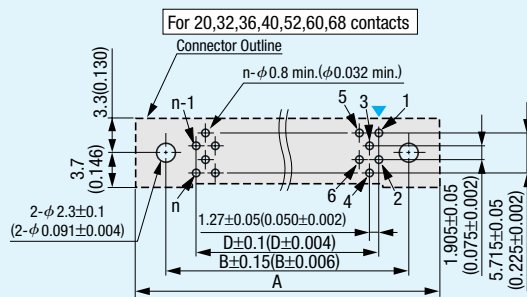
Product Table / Dimensions

No. of contacts	Part Number	A	B	C	D	Number of packaging
20	8822-020-171□-F	25.43 (1.001)	17.83 (0.702)	15.43 (0.607)	11.43 (0.450)	80
26	8822-026-171□-F	29.24 (1.151)	21.64 (0.852)	19.24 (0.757)	15.24 (0.600)	80
30	8822-030-171□-F	31.78 (1.251)	24.18 (0.952)	21.78 (0.857)	17.78 (0.700)	80
32	8822-032-171□-F	33.05 (1.301)	25.45 (1.002)	23.05 (0.907)	19.05 (0.750)	80
34	8822-034-171□-F	34.32 (1.351)	26.72 (1.052)	24.32 (0.957)	20.32 (0.800)	80
40	8822-040-171□-F	38.13 (1.501)	30.53 (1.202)	28.13 (1.107)	24.13 (0.950)	60
50	8822-050-171□-F	44.48 (1.751)	36.88 (1.452)	34.48 (1.357)	30.48 (1.200)	50
52	8822-052-171□-F	45.75 (1.801)	38.15 (1.502)	35.75 (1.407)	31.75 (1.250)	50
60	8822-060-171□-F	50.83 (2.001)	43.23 (1.702)	40.83 (1.607)	36.83 (1.450)	50
68	8822-068-171□-F	55.91 (2.201)	48.31 (1.902)	45.91 (1.807)	41.91 (1.650)	50

8830-□□□-170S□-F (Plug, With locking system)

Unit:mm(inch)

Plug (Straight Type)


X-X' Cross Section

Printed Circuit Board Layout (Component Side View)


▼=Polarity identification
 Recommended PCB Thickness $t=1.6\pm0.19(0.063\pm0.007)$
 "n" is number of contacts.

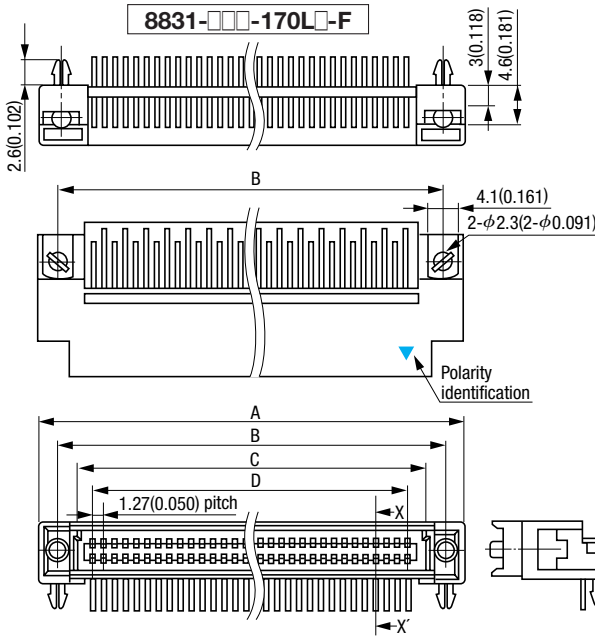
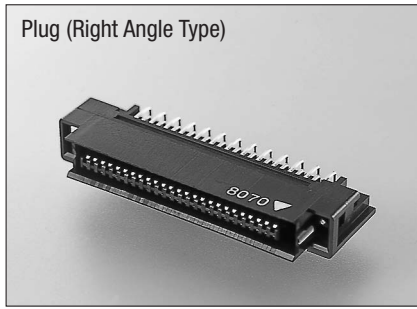
 Packaging style
Pipe

Product Table / Dimensions

No. of contacts	Part Number	A	B	C	D	Number of packaging
20	8830-020-170S□-F	25.43 (1.001)	20.32 (0.800)	15.83 (0.623)	11.43 (0.450)	20
26	8830-026-170S□-F	29.24 (1.151)	24.13 (0.950)	19.64 (0.773)	15.24 (0.600)	17
30	8830-030-170S□-F	31.78 (1.251)	26.67 (1.050)	22.18 (0.873)	17.78 (0.700)	16
32	8830-032-170S□-F	33.05 (1.301)	27.94 (1.100)	23.45 (0.923)	19.05 (0.750)	15
34	8830-034-170S□-F	34.32 (1.351)	29.21 (1.150)	24.72 (0.973)	20.32 (0.800)	14
40	8830-040-170S□-F	38.13 (1.501)	33.02 (1.300)	28.53 (1.123)	24.13 (0.950)	13
50	8830-050-170S□-F	44.48 (1.751)	39.37 (1.550)	34.88 (1.373)	30.48 (1.200)	11
52	8830-052-170S□-F	45.75 (1.801)	40.64 (1.600)	36.15 (1.423)	31.75 (1.250)	11
60	8830-060-170S□-F	50.83 (2.001)	45.72 (1.800)	41.23 (1.623)	36.83 (1.450)	10
68	8830-068-170S□-F	55.91 (2.201)	50.80 (2.000)	46.31 (1.823)	41.91 (1.650)	9

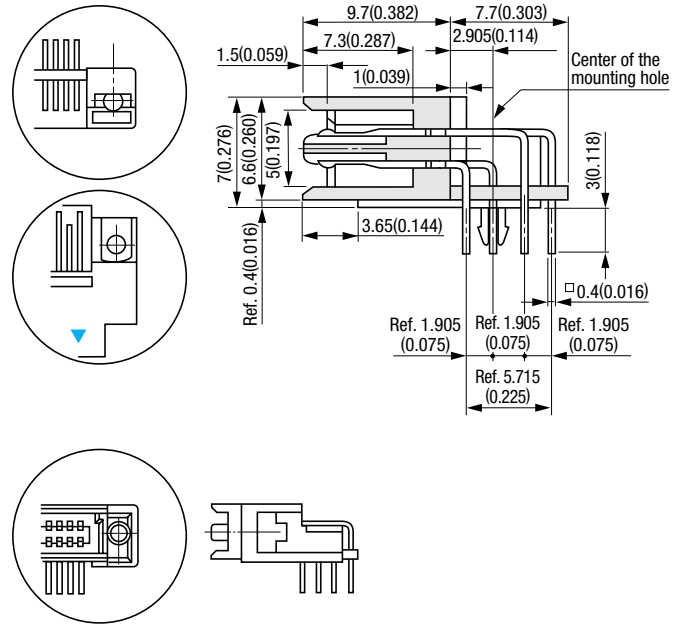
8830/8831-□□□-170L□-F (Plug, With locking system)

Unit:mm(inch)

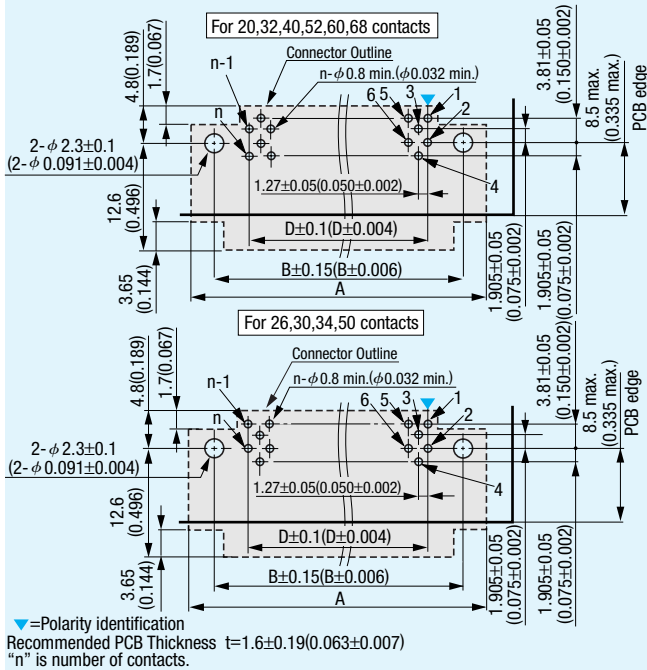


8830-□□□-170L□-F

X-X' Cross Section



Printed Circuit Board Layout (Component Side View)



Packaging style
Pipe

Product Table / Dimensions

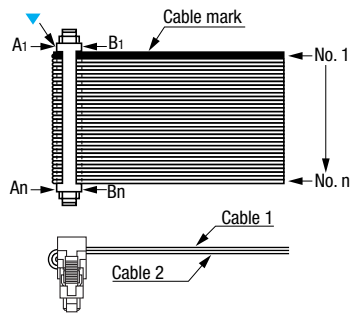
No. of contacts	Part Number	A	B	C	D	Number of packaging
20	8830-020-170L□-F	25.43 (1.001)	20.32 (0.800)	15.83 (0.623)	11.43 (0.450)	20
	8831-020-170L□-F					
26	8830-026-170L□-F	29.24 (1.151)	24.13 (0.950)	19.64 (0.773)	15.24 (0.600)	17
	8831-026-170L□-F					
30	8830-030-170L□-F	31.78 (1.251)	26.67 (1.050)	22.18 (0.873)	17.78 (0.700)	16
	8831-030-170L□-F					
32	8830-032-170L□-F	33.05 (1.301)	27.94 (1.100)	23.45 (0.923)	19.05 (0.750)	15
	8831-032-170L□-F					
34	8830-034-170L□-F	34.32 (1.351)	29.21 (1.150)	24.72 (0.973)	20.32 (0.800)	14
	8831-034-170L□-F					
40	8830-040-170L□-F	38.13 (1.501)	33.02 (1.300)	28.53 (1.123)	24.13 (0.950)	13
	8831-040-170L□-F					
50	8830-050-170L□-F	44.48 (1.751)	39.37 (1.550)	34.88 (1.373)	30.48 (1.200)	11
	8831-050-170L□-F					
52	8830-052-170L□-F	45.75 (1.801)	40.64 (1.600)	36.15 (1.423)	31.75 (1.250)	11
	8831-052-170L□-F					
60	8830-060-170L□-F	50.83 (2.001)	45.72 (1.800)	41.23 (1.623)	36.83 (1.450)	10
	8831-060-170L□-F					
68	8830-068-170L□-F	55.91 (2.201)	50.80 (2.000)	46.31 (1.823)	41.91 (1.650)	9
	8831-068-170L□-F					

ORDER CODE

8822-□□□-171□F-□□□□(C)

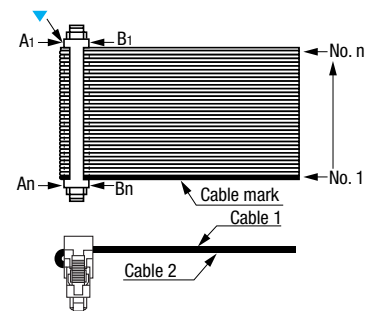
- No. of contacts
 - 020 : 20 pin
 - 026 : 26 pin
 - 030 : 30 pin
 - 032 : 32 pin
 - 034 : 34 pin
 - 040 : 40 pin
 - 050 : 50 pin
 - 052 : 52 pin
 - 060 : 60 pin
 - 068 : 68 pin
- Contact name
 - 171
- Plating of contact area
 - Omit : Au 0.05μm (Standard)
 - D : Au 0.25μm (Upon request)
- Series name
 - 8822 : Snap-in latching system
- Wiring code (AA, AC, BB, BO, AO, CO)
- Cable type
 - Omit : Flat cable
 - * S : Intermittent bonded cable
 - * T : Twist&Flat cable
- Cable length (cm)
 - L dimension (3cm min.)
 - (Example: 008=8cm)
- F : RoHS Compliance
- BB-wired products
 - Omit : Twist type
 - C : Through type

■8822-□□□-171□F-□□□□-A0



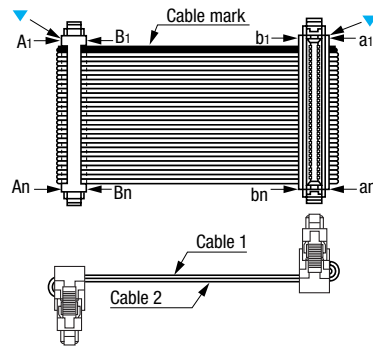
- A1—Cable 1 / No. 1
 - A2—Cable 1 / No. 2
 - ...
 - An—Cable 1 / No. n
 - B1—Cable 2 / No. 1
 - B2—Cable 2 / No. 2
 - ...
 - Bn—Cable 2 / No. n
- ▼=Polarity identification

■8822-□□□-171□F-□□□□-C0

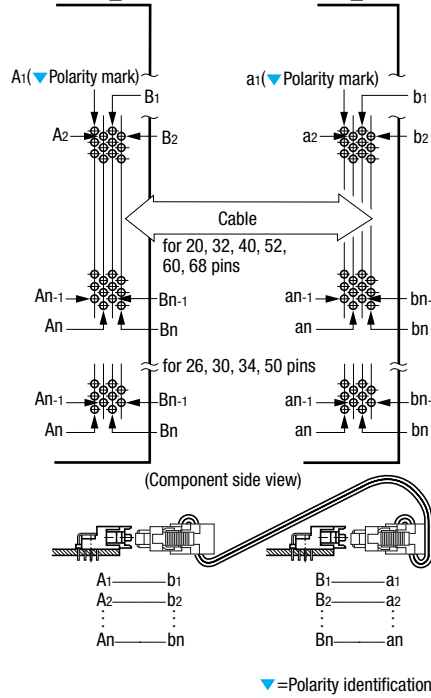
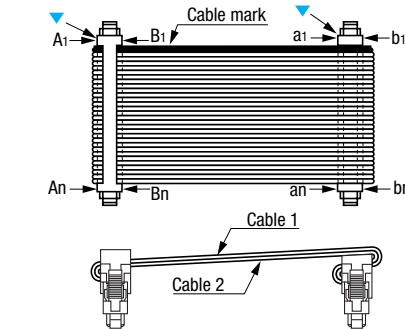


- A1—Cable 1 / No. n
 - A2—Cable 1 / No. n-1
 - ...
 - An—Cable 1 / No. 1
 - B1—Cable 2 / No. n
 - B2—Cable 2 / No. n-1
 - ...
 - Bn—Cable 2 / No. 1
- ▼=Polarity identification

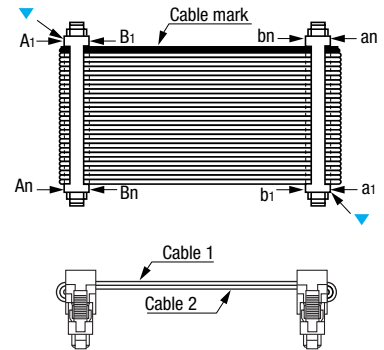
■8822-□□□-171□F-□□□□-AA



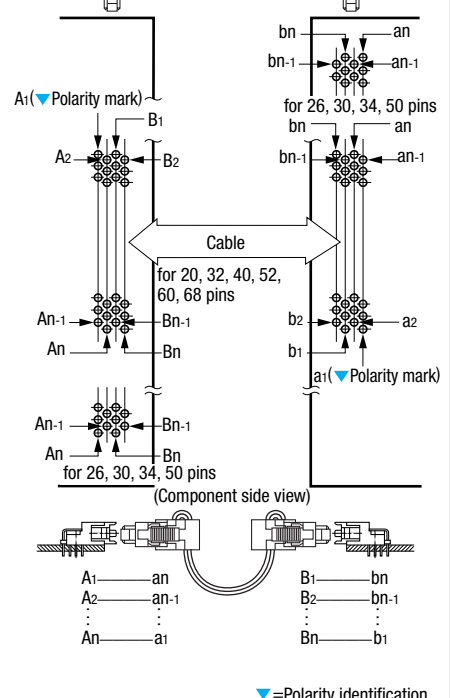
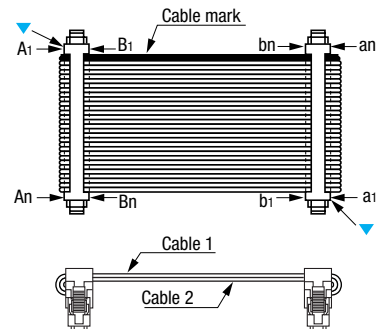
- A1—Cable 1 / No. 1—b1
- A2—Cable 1 / No. 2—b2
- ...
- An—Cable 1 / No. n—bn
- B1—Cable 2 / No. 1—a1
- B2—Cable 2 / No. 2—a2
- ...
- Bn—Cable 2 / No. n—an



■8822-□□□-171□F-□□□□-AC



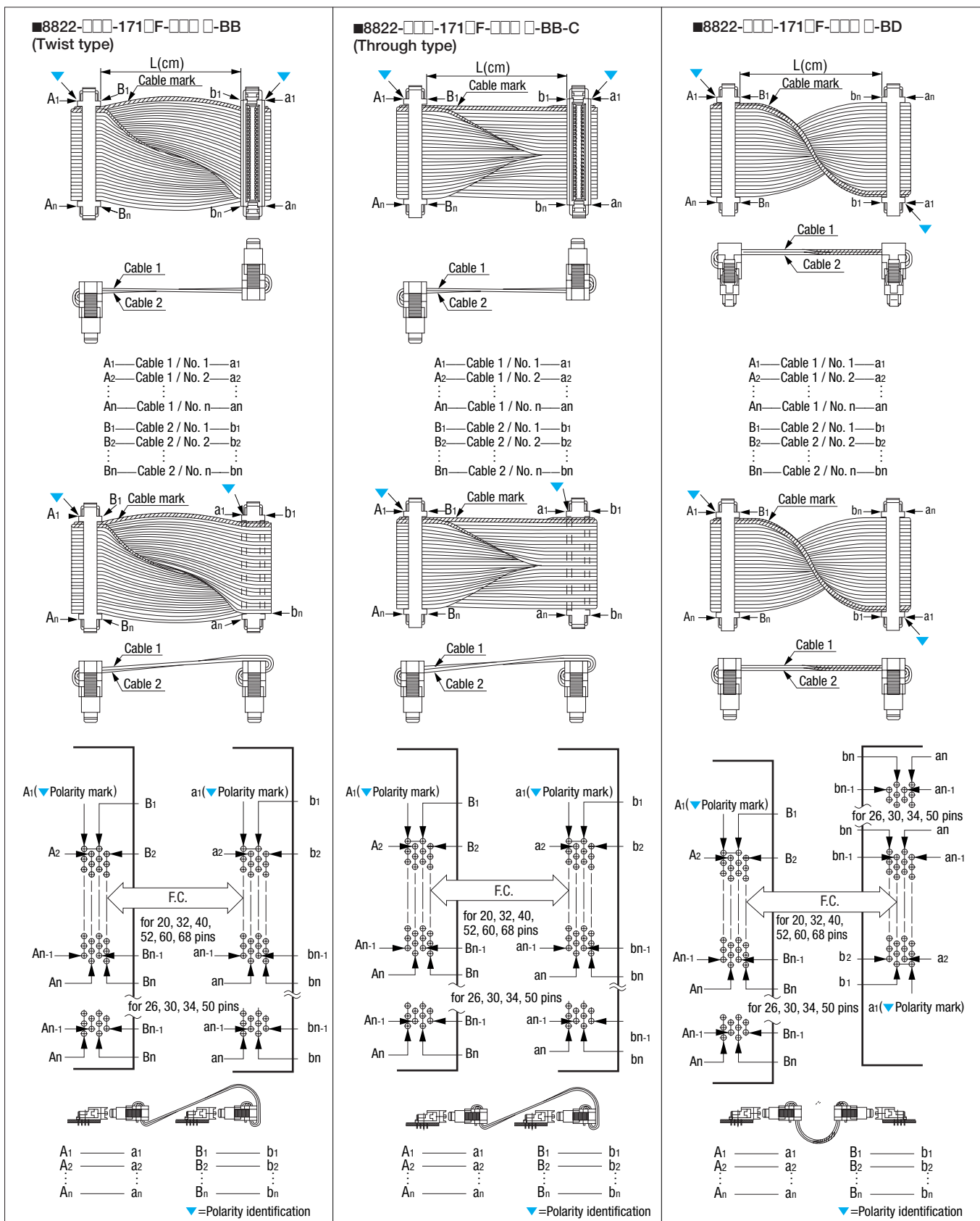
- A1—Cable 1 / No. 1—an
- A2—Cable 1 / No. 2—an-1
- ...
- An—Cable 1 / No. n—a1
- B1—Cable 2 / No. 1—bn
- B2—Cable 2 / No. 2—bn-1
- ...
- Bn—Cable 2 / No. n—b1



- * Intermittent bonded and Twist&Flat cable have a restriction on cable length (L dimension) because they are terminated at the fused part.
- * For AO and CO codes, orders are accepted in even quantities.
- * Harness end has an extra cable of approximate 1mm beyond the connector edge.



● For pressure-welding tools used for flat-cable connectors, see C-58.



- * Intermittent bonded and Twist&Flat cable have a restriction on cable length (L dimension) because they are terminated at the fused part.
- * For AO and CO codes, orders are accepted in even quantities.
- * Harness end has an extra cable of approximate 1mm beyond the connector edge.



• For pressure-welding tools used for flat-cable connectors, see C-58.